

# FIXED POSITION TREESTAND USAGE INSTRUCTIONS & WARNINGS

## ATTENTION!!

**WHEN YOU SEE A "⚠ WARNING!" BE SURE TO HEED THE MESSAGE!  
THE INFORMATION CONTAINED IN THESE MESSAGES  
CAN SAVE YOUR LIFE!!**

**PLEASE NOTE THAT WARNING!** statements have been placed throughout this Instruction Manual. These statements point out important safety information and instructions, which, if not followed could endanger the personal safety and/or property of the operator. It is imperative that the operator of this product, or any other product(s) read and follow all the instructions and warnings contained in this Manual prior to attempting to use this product(s), or any other product(s). Failure to comply with these instructions and/or warnings may result in serious personal injury or death!

**⚠ WARNING!** Failure to read and strictly comply with the instructions contained in this Instruction Manual may result in serious injury or death!

**⚠ WARNING!** FALLS FROM A TREESTAND CAN OCCUR ANYTIME AFTER LEAVING THE GROUND. THESE FALLS RESULT IN EITHER SERIOUS INJURY OR DEATH! FOR YOUR PERSONAL SAFETY, PLEASE TAKE A MOMENT TO CAREFULLY READ THIS PRODUCT INSTRUCTION MANUAL IN ITS ENTIRETY BEFORE ATTEMPTING TO ASSEMBLE, SET-UP, INSTALL AND/OR OTHERWISE USE THIS BIG GAME PRODUCT. AT LEAST ANNUALLY, REVIEW THE CONTENTS OF THIS INSTRUCTION MANUAL AND WATCH THE SAFE TREESTAND HUNTING DVD. ADDITIONALLY, KEEP THESE INSTRUCTIONS FOR THE ENTIRE DURATION THAT YOU OWN THIS PRODUCT(S). FAILURE TO FOLLOW THESE INSTRUCTIONS MAY RESULT IN SERIOUS INJURY OR DEATH!

**⚠ WARNING!** A "Safe Treestand Hunting: Techniques That Will Save Your Life" DVD has been included with this treestand. Please view it in its entirety prior to using this or any other Big Game product(s). Failure to follow these instructions may result in serious injury or death!

**⚠ WARNING!** THE SAFE USE AND OPERATION OF THIS PRODUCT IS THE SOLE RESPONSIBILITY OF THE USER. IT IS ALSO THE SOLE RESPONSIBILITY OF THE OWNER TO PROVIDE ANY PERSON(S) WHO BORROW OR PURCHASE THIS PRODUCT WITH THESE INSTRUCTIONS AND THE AFORE MENTIONED "SAFE TREESTAND HUNTING: TECHNIQUES THAT WILL SAVE YOUR LIFE" DVD. FAILURE TO FOLLOW THESE INSTRUCTIONS MAY RESULT IN SERIOUS INJURY OR DEATH! ADDITIONALLY, FAILURE TO FOLLOW THIS INSTRUCTION MAY SUBJECT YOU TO PERSONAL LIABILITY PENALTIES AS DETERMINED BY THE U.S. JUDICIAL SYSTEM.

**⚠ WARNING!** Prior to each hunt, you must inform someone of your hunting location, including the specific location of your treestand and the expected duration of your hunt. Failure to follow these instructions may result in serious injury or death!

**⚠ WARNING!** Prior to each hunt, make sure that you have a signaling device (e.g., mobile phone, radio, whistle, signal flare or Personal Locator Device (PLD)) in your possession and in an operable condition. This device must be within easy access should you experience the need to contact emergency assistance. Failure to follow these instructions may result in serious injury or death!

This Instruction Manual complies with the Treestand Manufacturers Association's  
"Standard Practice for Treestand Instructions; TMS 04-98 Revision G."

**READ THIS MANUAL IN ITS ENTIRETY PRIOR TO USING THIS PRODUCT.**

**ATTENTION!!**  
**WHEN YOU SEE A "⚠️ WARNING!" BE SURE TO HEED THE MESSAGE!**  
**THE INFORMATION CONTAINED IN THESE MESSAGES**  
**CAN SAVE YOUR LIFE!!**

**⚠️ WARNING!** Do not remove, modify, and/or omit any portion or otherwise mechanically modify this Big Game product(s) or its assemblies in any manner. Modification, misuse, and/or part substitution shall immediately void your factory warranty and may result in serious injury or death! If you suspect that a part(s) is missing and/or defective, immediately contact Big Game toll-free at 800-268-5077 for replacement of missing or defective parts. Never modify your stand in any way by making repairs, or altering, adding or attaching anything to it except if explicitly authorized in writing by Big Game. **ALWAYS USE GENUINE FACTORY AUTHORIZED BIG GAME REPLACEMENT PARTS. USE OF ANY REPLACEMENT PARTS OTHER THAN GENUINE BIG GAME PARTS VOIDS YOUR WARRANTY AND MAY RESULT IN SERIOUS INJURY OR DEATH!**

**⚠️ WARNING!** Make certain all chains, cable straps, etc. are tightened per this Instruction Manual prior to use. All treestand contact points must be in contact with the tree before you step onto the stand. The correct adjustment and tightening of attachment hardware is critical to the stable installation of this treestand. Failure to follow these instructions may result in serious injury or death!

**⚠️ WARNING!** This product(s) is designed for adult use only. No one under the age of 16 should attempt to use this or any other product(s) without direct adult supervision. Failure to follow these instructions may result in serious injury or death!

**⚠️ WARNING!** Prior to attempting to use this or any other Big Game product(s) you must take a moment and become familiar with its assembly, setup and installation. You must practice installing, setting-up and using this product(s) at ground level prior to attempting to use it at heights above ground level. Once you have become thoroughly knowledgeable and comfortable with this Big Game product(s) setup, installation and use at ground level, you are now ready to use it at heights above ground-level. Failure to follow these instructions may result in serious injury or death!

**⚠️ WARNING!** You must wear a Fall Arrest System (FAS) comprising of a full body harness at all times after leaving the ground. You must stay connected at all times after leaving the ground while using fixed position treestands. Single safety belts and chest harnesses are no longer allowed and should never be used. If you are not wearing a full body harness that is properly attached to the tree to protect you from a fall, do not leave the ground. Failure to follow these instructions may result in serious injury or death!

**⚠️ WARNING!** Never attempt to climb up or down with a weapon and/or gear in your possession. **ALWAYS** unload your weapon and pull it up to hunting height using a tether or pull up rope. **ALWAYS** lower your unloaded weapon down to the ground prior (when raising or lowering firearms, the chamber must be open and the barrel pointing toward the ground) to attempting to climb up or climb down. Use this same method when raising or lowering all other gear. Failure to follow these instructions may result in serious injury or death!

**⚠️ WARNING!** Prior to each use thoroughly inspect the treestand and all safety devices each time before use for signs of wear, rot, corrosion, cracks, deterioration and/or any other type of defect. Make certain that your treestand is tight and secure prior to use. Protect this product from extended exposure to direct sunlight, excessive heat or freezing temperatures by storing inside when not in use. Do not use this or any other product(s) if it shows evidence of wear, rot, corrosion, cracks, deterioration and/or any other type of defect. Failure to follow these instructions may result in serious injury or death!

This Instruction Manual complies with the Treestand Manufacturers Association's  
"Standard Practice for Treestand Instructions; TMS 04-98 Revision G."

**ATTENTION!!**  
**WHEN YOU SEE A "⚠️ WARNING!" BE SURE TO HEED THE MESSAGE!**  
**THE INFORMATION CONTAINED IN THESE MESSAGES**  
**CAN SAVE YOUR LIFE!!**

- ⚠️ WARNING! DO NOT** use this or any other Big Game product(s) if you have a history of heart problems, back problems, impaired vision, joints that lock-up, spinal fusions, equilibrium problems, high blood pressure, are not well-rested and/or any other physical impairment that may limit your ability to use and/or operate this product(s) in the safe manner outlined in this Instruction Manual. Additionally, do not use this or any other Big Game product(s) if you are currently taking medication (including prescription) and/or using and/or consuming any substance, including alcohol, that may limit your ability to use this Big Game product(s) as outlined and described in the Instruction Manual. Never use a treestand when feeling ill, nauseous or dizzy. Failure to follow these instructions may result in serious injury or death!
- ⚠️ WARNING! DO NOT** attempt to make adjustments to this product while in the treestand. All adjustments must be made with the entire treestand on the ground. Failure to follow these instructions may result in serious injury or death!
- ⚠️ WARNING! DO NOT** leave your Big Game product(s) installed for more than two weeks (14 days). Any number of factors can jeopardize its installation and integrity. These include, but are not limited to, weather or other environmental factors that can negatively affect its performance. Animals can also cause damage to your Big Game product(s) that can negatively affect its performance and your safety. Additionally, factors such as tree growth can stress and damage supporting straps, chains and/or buckles. Failure to follow these instructions may result in serious injury or death!
- ⚠️ WARNING! ALWAYS** inspect the treestand and all safety devices prior to each use. **DO NOT** use product if it shows signs of wear, damage, deterioration, or vandalism. Factors such as tree growth, vandals, weather and animals may affect the performance of an unattended treestand. Failure to follow these instructions may result in serious injury or death!
- ⚠️ WARNING! DO NOT** modify, fix/repair, alter, bend, cut, weld, or heat the treestand in any way. Also, do not attach anything to your treestand without explicit authorized and written instructions from the manufacturer.
- ⚠️ WARNING!** Climbing aids (e.g. stick ladders, sectional ladders, steps, etc.) must extend above the treestand standing platform (at least 24 inches) to allow the user to step down onto the platform. Never step up to your stand from a climbing aid. Failure to follow these instructions may result in serious injury or death!
- ⚠️ WARNING!** Strict weight limitations have been set for each product to ensure your personal safety. Note the weight limitations of your stand and that this weight limit includes the user and equipment. **NEVER EXCEED THESE WEIGHT LIMITATIONS!** Failure to follow these instructions may result in serious injury or death!
- ⚠️ WARNING! DO NOT** attempt to use this or any other Big Game product(s) when ice, snow, and/or freezing rain has deposited or formed on any portion of the tree or stand you intend to climb. Do not attempt to use this or any other Big Game product(s) when thunderstorms are threatening and/or present within five (5) miles. Do not attempt to use this or any other product(s) when any other adverse weather condition presents itself. These include, but are not limited to, weather conditions which have the potential for producing winds, lightning, rain, snow, sleet and/or any other atmospheric condition which may limit the user's ability to operate this Big Game product(s) in a safe manner as described in this Instruction Manual. Should inclement weather conditions arise during your use of this Big Game product(s), return to the ground immediately. Failure to follow these instructions may result in serious injury or death!

This Instruction Manual complies with the Treestand Manufacturers Association's  
"Standard Practice for Treestand Instructions; TMS 04-98 Revision G."

**READ THIS MANUAL IN ITS ENTIRETY PRIOR TO USING THIS PRODUCT.**

**ATTENTION!!**  
**WHEN YOU SEE A "⚠️ WARNING!" BE SURE TO HEED THE MESSAGE!**  
**THE INFORMATION CONTAINED IN THESE MESSAGES**  
**CAN SAVE YOUR LIFE!!**

- ⚠️ WARNING! DO NOT** jump or bounce on the treestand platform and/or the seat to engage the stand to the tree. Failure to follow these instructions may result in serious injury or death!
- ⚠️ WARNING!** To reduce your risk of injury or death from falls **YOU MUST WEAR A LINEMAN STYLE FULL BODY SAFETY HARNESS** (Fall-Arrest System) that meets **TMA STANDARDS. ALWAYS REMAIN HARNESED TO THE TREE FROM THE MOMENT YOU LEAVE THE GROUND UNTIL YOU RETURN TO THE GROUND.** The lineman's style full body safety harness must be worn in compliance with the manufacturer's instructions. If you do not or can not use a lineman's style full body safety harness that properly fits we strongly recommend that you **DO NOT** attempt to install or use this product. To purchase an additional lineman's style full body safety harness or to find out more information regarding full body safety harnesses, please contact us at 800-268-5077. Failure to follow these instructions may result in serious injury or death!
- ⚠️ WARNING! BEFORE** each use, make sure all nuts and bolts are secure. **CHECK** all hardware and webbing prior to every use to make sure that no damage has occurred to hardware and that webbing (as applicable) is not cut or frayed. Keep webbing from coming into contact with any sharp edges. **DO NOT USE THIS PRODUCT IF ANY DAMAGE IS SUSPECTED.** Failure to follow these instructions may result in serious injury or death!
- ⚠️ WARNING! REPLACE** any damaged or worn part with original parts. Replace attachment belts every three years and when not in use store in a dry, cool, safe place- away from sunlight. Never store a treestand or any of its components outdoors when not in use. To purchase parts contact us at 800-268-5077. Failure to follow these instructions may result in serious injury or death!
- ⚠️ WARNING! ALWAYS** wear the appropriate foot wear when using a treestand. A good nonslip safety boot is important for your safety. Be especially careful that boot laces do not get hooked on the tree stand or climbing aids (tuck shoelaces into boot before climbing). Failure to follow these instructions may result in serious injury or death!
- ⚠️ WARNING! DO NOT** use this product, or attempt to use a treestand, on a dead, leaning, diseased, loose barked tree (bark that flakes or falls off), irregular shaped trees, or utility poles. **DO NOT** use this product on any tree that does not allow for a level standing platform. Failure to follow these instructions may result in serious injury or death!
- ⚠️ WARNING! NEVER** hunt out of a treestand at heights at which you are not completely comfortable. Depending upon the tree and hunting conditions, choose the minimum hunting height that allows for safe, effective hunting. Failure to follow these instructions may result in serious injury or death!
- ⚠️ WARNING! DO NOT** use this, or any other product(s) to climb utility poles, telephone poles, structural columns or any other man-made structures. Never use this or any other product(s) around power generation (e.g., transformers, generators, substations, etc.) and/or power transmission equipment. Never use a treestand on a dead, leaning, diseased or loose barked tree. **NEVER USE A TREE BRANCH, OR ANY PORTION OF A TREE, TO SUPPORT ANY PORTION OF YOUR WEIGHT OR AS A HAND HOLD.** Failure to follow these instructions may result in serious injury or death!

This Instruction Manual complies with the Treestand Manufacturers Association's  
"Standard Practice for Treestand Instructions; TMS 04-98 Revision G."

**ATTENTION!!**  
**WHEN YOU SEE A "⚠️ WARNING!" BE SURE TO HEED THE MESSAGE!**  
**THE INFORMATION CONTAINED IN THESE MESSAGES**  
**CAN SAVE YOUR LIFE!!**

- ⚠️ WARNING! DO NOT** stand on the treestand seat. Failure to follow these instructions may result in serious injury or death!
- ⚠️ WARNING!** This Big Game product(s) was designed for installation on trees with a minimum diameter of nine (9) inches. **DO NOT** use your Big Game product(s) on trees with trunk diameters that do not meet this minimum diameter requirement. Failure to follow these instructions may result in serious injury or death!
- ⚠️ WARNING!** A full body harness with a lineman's/climbing belt must be worn at all times while installing or removing any hang-on climbing aids. Failure to follow these instructions may result in serious injury or death!
- ⚠️ WARNING!** When using a climbing/lineman's belt to ascend the tree, the full body harness should be attached to the tree before stepping down on the treestand. Failure to follow these instructions may result in serious injury or death!
- ⚠️ WARNING! ALWAYS** maintain three-point contact when climbing up/down a tree when using climbing aids. Proper three-point contact means having either two feet with one hand or one foot with two hands on the step portion of the climbing aids at all times when climbing up or down. Failure to follow these instructions may result in serious injury or death!
- ⚠️ WARNING! ALWAYS** lean forward as you climb and attach your harness to the tree before securing the platform to the tree and stepping onto the platform. Failure to follow these instructions may result in serious injury or death!

**Should you have any questions about the assembly, installation or use of this product, or any other product, please do not hesitate to call one of our customer service representatives at 800-268-5077 and they will answer all questions you may have about any of the complete line of products.**

*To activate your product's warranty, a registration card can be found on page 35 and must be completed and returned to the manufacturer within 30 days of purchase. Be sure to keep a copy of this for your records.*

**OPTIONAL ACCESSORIES AND REPLACEMENT PARTS**

Any number of innovative accessories are available and sold separately to compliment your new climbing system. Only genuine authorized accessories should be used with your climbing system. Genuine replacement parts are also available online or via telephone. Should you require parts or service, or if you just have a question about this, or any other product(s), simply give one of our customer service representatives a call toll-free at 800-268-5077.

This Instruction Manual complies with the Treestand Manufacturers Association's  
"Standard Practice for Treestand Instructions;TMS 04-98 Revision G."

**READ THIS MANUAL IN ITS ENTIRETY PRIOR TO USING THIS PRODUCT.**

**ATTENTION!!**  
**WHEN YOU SEE A "⚠️ WARNING!" BE SURE TO HEED THE MESSAGE!**  
**THE INFORMATION CONTAINED IN THESE MESSAGES**  
**CAN SAVE YOUR LIFE!!**

## **FULL BODY FALL-ARREST HARNESS USAGE INSTRUCTIONS & WARNINGS**

- ⚠️ WARNING!** Failure to read and strictly comply with the instructions contained here may result in serious injury or death!
- ⚠️ WARNING!** READ ALL THE INFORMATION INCLUDED HERE PRIOR TO ATTEMPTING TO USE THIS FULL BODY HARNESS. YOUR FULL-BODY FALL ARREST HARNESS IS DESIGNED FOR A MAXIMUM CAPACITY OF 300 POUNDS. ADDITIONALLY - YOUR FULL-BODY FALL-ARREST HARNESS MUST BE REPLACED AFTER FIVE (5) YEARS OF SERVICE! RETURN YOUR HARNESS TO THE MANUFACTURER FOR FREE REPLACEMENT SHOULD YOU EXPERIENCE A FALL OR SHOULD IT EXCEED THE FIVE (5) YEAR SERVICE PERIOD.
- ⚠️ WARNING!** Prior to attempting to use this or any other product(s) you must take a moment and become familiar with its assembly, setup and installation. You must practice installing, setting-up and using your full body harness at ground level prior to attempting to use it at heights above ground level. Once you have become thoroughly knowledgeable and comfortable with this product(s) setup, installation and use at ground-level, you are now ready to use it at heights above ground-level. Failure to follow these instructions may result in serious injury or death!
- ⚠️ WARNING!** You must wear a Fall Arrest System (FAS) comprising of a full body harness at all times after leaving the ground. You must stay connected at all times after leaving the ground while using fixed position treestands. Single safety belts and chest harnesses are no longer preferred and should never be used. If you are not wearing a full body harness that is protecting you from a fall, do not leave the ground. Failure to follow these instructions may result in serious injury or death!
- ⚠️ WARNING!** You must practice putting harness on, adjusting and the use of your full body harness at ground level in the presence of a **responsible adult** to experience the feeling of hanging suspended before using in a hunting environment. This experience will insure you remain calm and collected should you experience a fall while hunting. Failure to follow these instructions may result in serious injury or death!
- ⚠️ WARNING!** The length of the harness tether must be kept to a minimum at all times during use. It should be adjusted so that it is above the head with no slack (snug) in the sitting position and you should have the minimum amount of slack possible when climbing. Never let the tether strap get under your chin or around your neck. Failure to follow these instructions may result in serious injury or death!
- ⚠️ WARNING!** Should you experience a fall there is time to make a correct decision on what action needs to take place. It is important to remember: **DO NOT PANIC!** Failure to follow this warning may result in serious injury or death!
- ⚠️ WARNING!** If you have a limiting physical and/or health condition that precludes and/or renders you incapable of self-recovery and/or a suitable escape plan is not available, **DO NOT** hunt from heights above ground level. Failure to follow these instructions may result in serious injury or death!

This Instruction Manual complies with the Treestand Manufacturers Association's  
"Standard Practice for Treestand Instructions; TMS 04-98 Revision G."

**ATTENTION!!**  
**WHEN YOU SEE A "⚠️ WARNING!" BE SURE TO HEED THE MESSAGE!**  
**THE INFORMATION CONTAINED IN THESE MESSAGES**  
**CAN SAVE YOUR LIFE!!**

**⚠️ WARNING!** FALLS FROM A TREESTAND CAN OCCUR ANYTIME AFTER LEAVING THE GROUND. THESE FALLS RESULT IN EITHER SERIOUS INJURY OR DEATH! FOR YOUR PERSONAL SAFETY, PLEASE TAKE A MOMENT TO CAREFULLY READ THIS PRODUCT INSTRUCTION MANUAL IN ITS ENTIRETY BEFORE ATTEMPTING TO ASSEMBLE, SET-UP, INSTALL AND/OR OTHERWISE USE THIS BIG GAME PRODUCT. AT LEAST ANNUALLY, REVIEW THE CONTENTS OF THIS INSTRUCTION MANUAL AND WATCH THE SAFE TREESTAND HUNTING DVD. ADDITIONALLY, KEEP THESE INSTRUCTIONS FOR THE ENTIRE DURATION THAT YOU OWN THIS PRODUCT(S). FAILURE TO FOLLOW THESE INSTRUCTIONS MAY RESULT IN SERIOUS INJURY OR DEATH!

**⚠️ WARNING!** THE SAFE USE AND OPERATION OF THIS PRODUCT IS THE SOLE RESPONSIBILITY OF THE USER. IT IS ALSO THE SOLE RESPONSIBILITY OF THE OWNER TO PROVIDE ANY PERSON(S) WHO BORROW OR PURCHASE THIS PRODUCT FROM THEM WITH THESE COMPLETE INSTRUCTIONS. FAILURE TO FOLLOW THESE INSTRUCTIONS MAY RESULT IN SERIOUS INJURY OR DEATH! ADDITIONALLY, FAILURE TO FOLLOW THESE INSTRUCTIONS MAY SUBJECT YOU TO PERSONAL LIABILITY PENALTIES AS DETERMINED BY THE U.S. JUDICIAL SYSTEM.

**⚠️ WARNING!** Prior to each hunt, make sure that you have a signaling device (e.g., mobile phone, radio, whistle, signal flare, Personal Locator Device [PLD], etc.) in your possession and on your person in an operable condition. This device must be within easy access should you experience the need to contact emergency assistance. Failure to follow these instructions may result in serious injury or death!

**⚠️ WARNING!** Practice the use of your Big Game full-body fall arrest harness and Suspension Relief Device (SRD) at ground level in the presence of a responsible adult to experience the feeling of hanging suspended before using in a hunting environment. Failure to follow these instructions may result in serious injury or death!

**⚠️ WARNING! NEVER** allow the harness tether to get under your chin or around your neck. This poses a choking hazard that can lead to serious injury or death. Failure to follow these instructions may result in serious injury or death!

**⚠️ WARNING!** If your hunting location is unknown by anyone and communication efforts are unsuccessful, you must have a personal plan for self-recovery/escape should you experience a fall. Prolonged suspension in a harness can be fatal. It is important to exercise the legs by pushing against the tree or doing other forms of continuous leg exercises to avoid blood pooling while being suspended. Varying degrees of physical fitness may require different plans for self-recovery/escape the effects of prolonged suspension. Have a personal plan and practice it in the presence of a responsible adult before leaving the ground. No one escape/rescue plan will work for every hunter, on every tree, in every circumstance. Only you can determine the best self-recovery/escape plan for your hunting situation before leaving the ground. There is time to make a correct decision on what action to take if a fall occurs while wearing a full body harness. It is important to remember, **DO NOT PANIC**. Remain calm and implement your practiced rescue, relief and recovery plan. Hunt from the ground when a self-recovery/escape ability is absent. Failure to follow these instructions may result in serious injury or death!

This Instruction Manual complies with the Treestand Manufacturers Association's  
"Standard Practice for Treestand Instructions; TMS 04-98 Revision G."

**READ THIS MANUAL IN ITS ENTIRETY PRIOR TO USING THIS PRODUCT.**

# FULL BODY FALL-ARREST HARNESS INSTRUCTIONS

**⚠ WARNING!** Before using this harness in the field, it is important to become familiar with the setup and use at ground level to ensure a proper assembly in the field. Failure to follow this warning may result in serious injury or death!

**STEP 1.** Identify the main part of the full body harness and locate the tree tether loop on the back side. Untwist any parts of the harness that have become tangled and then insert arms through each shoulder strap. (see fig. 1)

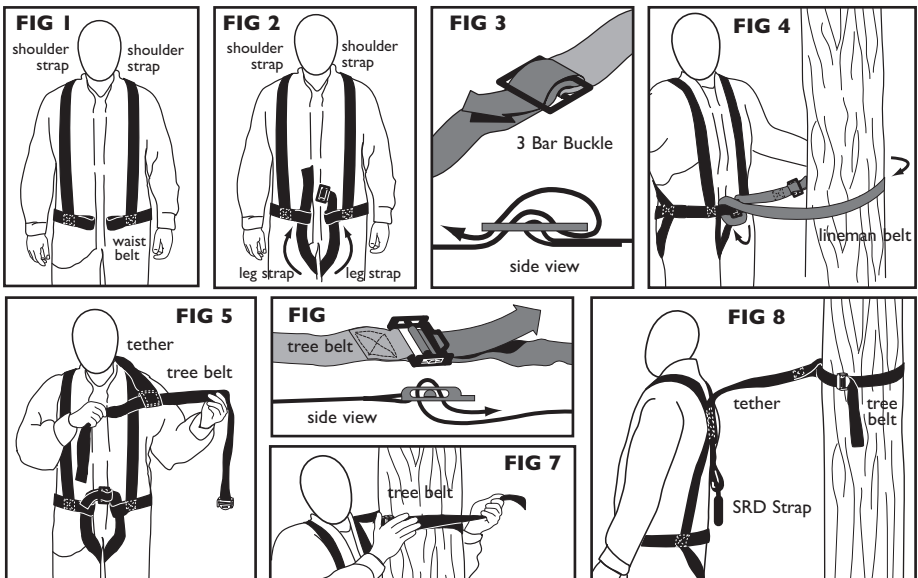
**STEP 2.** Feed the left leg strap between legs and thread through the bottom left waist loop. Repeat with the right leg strap, feeding between legs and through right waist loop. (see fig. 2)

**STEP 3.** Secure the two leg straps by threading the 3 bar buckle on the left leg strap. To secure properly, insert the right leg strap up through the first slot on the buckle and then down through the second slot; complete the buckle by bringing the strap back up and around the buckle and feeding back down through the first slot. (see fig. 3).

**WARNING!** It is very important to complete this step of the assembly, improperly securing buckle may cause harness failure resulting in serious injury or death! If there is not enough strap available to complete this step, DO NOT USE THIS HARNESS! You may need to purchase and use a larger specialty sized TMA Certified harness.

**STEP 4.** If necessary to use a climbing belt for the field installation of your treestand, feed the climbing belt through one of the waist loops and wrap the free end around the tree. Then feed opposite end through the opposite waist loop and use 3 bar buckle method described in Step 3 to secure. (see fig. 4)

**STEP 5.** Once you have reached your desired height, insert the tree belt through the loop of the tether. (see fig. 5) Then, carefully wrap the tree belt around the tree at a height that allows just enough slack for you to sit comfortably in your stand. Keeping the tether as short as possible limits the distance you will travel in case of a fall. To secure the strap insert free end up through the slot in the buckle closest to opposite side of the tree belt strap, then cross over the sliding mechanism and back down through opposite slot. Pull on strap to secure and test to make sure sliding mechanism engages creating secure strap placement. (see fig. 6, 7, 8)



**STEPS TO FOLLOW IF A FALL WAS TO OCCUR:**

Although nobody plans to fall from their treestand, falls can and do occur without warning. It is important to become familiar with the guidelines below and practice your recovery plan on ground level. Failure to read, understand, and follow these steps may result in serious injury or death!

**⚠️ WARNING!** There is time to make a correct decision on what action to take if a fall occurs while wearing a full body harness. It is important **NOT TO PANIC!** Remain calm and implement your practiced rescue, relief and recovery plan. Failure to follow this warning may result in serious injury or death!

**⚠️ WARNING!** A suspension relief device must be on your person and readily accessible while using a harness. This device will allow you to relieve the load on the lower extremities if suspended in a harness and help maintain circulation in the legs and prevent suspension trauma (blood pooling). Follow all instructions below regarding the provided SRD (Suspension Relief Device) and **NEVER** remove it from your safety harness. Failure to follow this warning may result in serious injury or death!

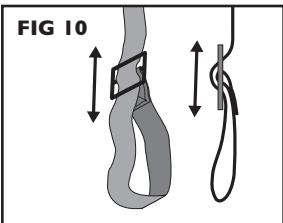
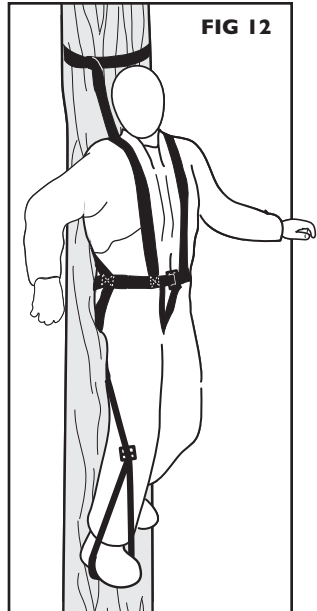
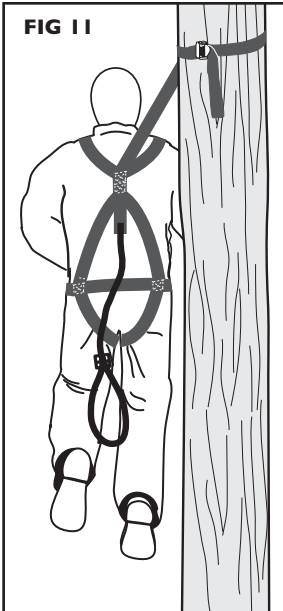
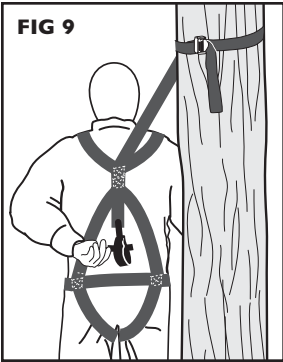
**STEP 1.** After a fall, take a moment to catch your breath and stay calm, **DO NOT PANIC.**

**STEP 2.** Use your **personal locating device** or **cell phone** to call for help.

**STEP 3.** Pull on the **SRD strap** located on the lower back side of your **harness**. (see fig. 9)

**STEP 4.** Adjust the **SRD strap** so that you are able to step into the loop and then stand up relieving the pressure on your lower extremities. The loop size can be adjusted by moving the buckle up or down. (see fig. 10 & 11)

**STEP 5.** If you are able to reach your ladder or climbing system, use it to get back into your secured treestand and then carefully climb down to ground level. If you are not able to reach your stand, remain calm and continue to stand in the **SRD loop** until help arrives. (see fig. 12)



# CR1100-S THE BOSS™ XL

**⚠ WARNING! Read USAGE INSTRUCTIONS & WARNINGS and FULL BODY FALL-ARREST HARNESS USAGE INSTRUCTIONS & WARNINGS on pages 3-11 prior to assembly of this product! Failure to follow the instructions on this page and pages 3-11 may result in serious injury or death!**

**STEP 1.** Place rear frame support between insertion joints in foot platform. Secure each side firmly using (2) 5/16" x 1 3/4" hex bolts [B] & (2) 5/16" nylock nuts.

**STEP 2.** Place seat frame between insertion joints in rear frame support. Secure each side firmly with (2) 5/16" x 2 1/2" hex bolts [A], (2) 5/16" nylock nuts, & (2) nylon washers. **NOTE:** (2) Nylon washers are provided to reduce noise causing friction between the seat frame and the rear frame support.

**STEP 3.** Using (1) 5/16" x 1 3/4" hex bolt [B] & (1) nylon washer connect end of plastic coated cable with end of strap assembly: connect to pre-drilled hole in rear frame support. Secure firmly with (1) 5/16" nylock nut. **NOTE:** (1) Nylon washer is provided to reduce noise causing friction between plastic coated cable and strap assembly.

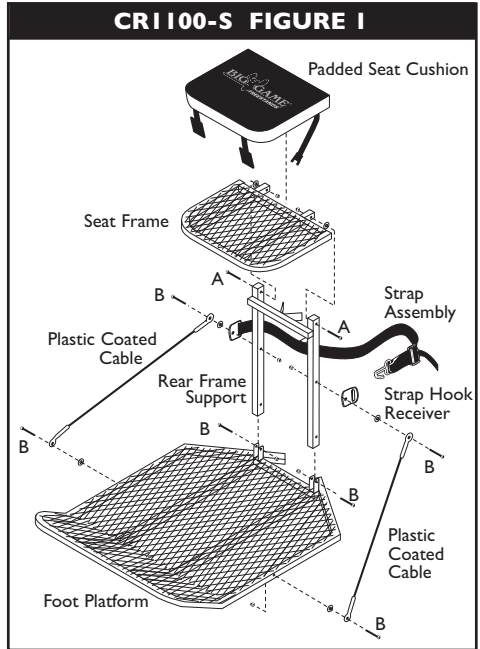
**STEP 4.** Using (1) 5/16" x 1 3/4" hex bolt [B], & (1) nylon washer connect end of other plastic coated cable with end of strap hook receiver to pre-drilled hole in opposite side of rear frame support. Secure firmly with (1) 5/16" nylock nut. **NOTE:** (1) Nylon washer is provided to reduce noise causing friction between plastic coated cable and strap hook receiver.

**STEP 5.** Connect lower ends of plastic coated cables to pre-drilled holes in foot platform. Secure firmly with (2) 5/16" x 1 3/4" hex bolts [B], (2) nylon washers, and (2) 5/16" nylock nuts. **NOTE:** (2) Nylon washers are provided to reduce noise causing friction between plastic coated cable and foot platform.

**STEP 6.** Insert seat cushion sleeve over seat frame and fasten snap buckles.

Please refer to **FIELD INSTALLATION FIXED POSITION TREESTANDS**, pages 18-21, for installation instructions.

*To activate your product's warranty, a registration card can be found on page 35 and must be completed and returned to the manufacturer within 30 days of purchase. Be sure to keep a copy of this for your records.*



## Parts List (CR1100-S)

Description	Qty
Foot Platform	1
Rear Frame Support	1
Seat Frame	1
Padded Seat Cushion	1
Owners Manual	1
Strap Assembly	1
24.5" Plastic Coated Cables	2
[A] 5/16" x 2 1/2" Hex Bolt	2
[B] 5/16" x 1 3/4" Hex Bolt	6
5/16" Nylock Nut	8
5/16" Nylon Washer	6
Full Body Harness	1

TOOLS REQUIRED FOR ASSEMBLY	Adjustable Wrench	Qty 2
-----------------------------	-------------------	-------

CR1100-S SPECIFICATIONS	Min. Tree Diameter	Max. Weight Capacity	# Person(s)
	9 Inches	300 lb/136 kg	ONE (1)

**These warnings apply to all FIXED POSITION TREESTANDS (Models CR0500-S, CR1000-S, CR1100-S, CR1200-S, CR0750-S, CR1105-S); Prior to using this stand you must also read and follow all Safety Warnings from Page 3-11 of this manual.**

**ATTENTION!! WHEN YOU SEE A "⚠ WARNING!" BE SURE TO HEED THE MESSAGE! THE INFORMATION CONTAINED IN THESE MESSAGES CAN SAVE YOUR LIFE!!**

**⚠ WARNING!** Failure to read and strictly comply with the instructions contained here may result in serious injury or death!

**READ THE FALL- RESTRAINT HARNESS MANUAL CAREFULLY AND FOLLOW ALL OF THE INSTRUCTIONS! YOUR NEW FULL-BODY FALL-RESTRAINT HARNESS IS DESIGNED FOR A MAXIMUM CAPACITY OF 300 POUNDS. ADDITIONALLY - YOUR NEW FULL-BODY FALL-RESTRAINT HARNESS MUST BE REPLACED AFTER FIVE (5) YEARS OF SERVICE! RETURN YOUR HARNESS TO THE MANUFACTURER FOR FREE REPLACEMENT SHOULD YOU EXPERIENCE A FALL OR SHOULD IT EXCEED THE FIVE (5) YEAR SERVICE PERIOD.**

**⚠ WARNING!** Never climb, install or use a treestand with a single safety belt or chest harness. These devices have been deemed unsafe for use in climbing apparatus applications and may endanger your personal safety. Use only the TMA certified full-body harness that was provided with this product. Failure to follow these instructions may result in serious injury or death!

**⚠ WARNING!** Prior to attempting to use this or any other product(s) you must take a moment and become familiar with its assembly, setup and installation. You must practice installing, setting-up and using this product(s) at ground level prior to attempting to use it at heights above ground-level. Once you have become thoroughly knowledgeable and comfortable with this product(s) setup, installation and use at ground-level, you are now ready to use it at heights above ground-level. Failure to follow these instructions may result in serious injury or death!

**⚠ WARNING!** Your treestand was designed for installation on trees with a minimum diameter of nine (9) inches. **DO NOT** use your treestand on trees with trunk diameters that do not meet this minimum diameter requirement. Failure to follow these instructions may result in serious injury or death!

**⚠ WARNING! DO NOT** leave your treestand installed for more than two weeks (14 continuous days). Any number of factors can jeopardize its installation. These include, but are not limited to, weather or other environmental factors that can negatively affect its performance. Animals can also cause damage to your treestand that can negatively affect its performance and your safety. Additionally, factors such as tree growth can stress and damage supporting straps and buckles. Failure to follow these instructions may result in serious injury or death!

**⚠ WARNING!** Climbing aids (e.g., stick ladders, sectional ladders, etc.) must be installed and extend a minimum of 24-inches (2 feet) above the seating platform. This practice allows the user to have a firm hand hold when stepping down onto the standing platform. **NEVER** attempt to step up onto your standing platform. Failure to follow these instructions may result in serious injury or death!

**⚠ WARNING! NEVER ATTEMPT** to step onto a treestand until all treestand contact points are secured tightly and firmly to the tree. **NEVER ATTEMPT** to step onto a treestand unless your full body harness is properly attached. Failure to follow these instructions may result in serious injury or death!

**⚠ WARNING!** When installing your fixed position treestand, you must wear your full body harness and use the lineman's belt (also referred to as the "climbing belt") at all times while installing or removing your fixed position treestand. The use of the lineman's belt insures your stable attachment to the tree until installation is complete. Failure to follow these instructions may result in serious injury or death!

**⚠ WARNING!** When installing your treestand, never attempt to climb with your treestand in your possession. Always use a pull up rope to raise and lower the treestand during installation and removal. **NEVER ATTEMPT TO CLIMB WITH ANY HUNTING COMPONENT OR ACCESSORY IN HAND OR ON YOUR BACK.** Failure to follow these instructions may result in serious injury or death!

**ATTENTION!!**  
**WHEN YOU SEE A "⚠️ WARNING!" BE SURE TO HEED THE MESSAGE!**  
**THE INFORMATION CONTAINED IN THESE MESSAGES**  
**CAN SAVE YOUR LIFE!!**

- ⚠️ WARNING!** Do not use this or any other product(s) if you have a history of heart problems, back problems, impaired vision, equilibrium problems, high blood pressure or any other physical impairment that may limit your ability to use and/or operate this product(s) in the safe manner outlined in this Instruction Manual. Additionally, do not use this or any other product(s) if you are currently taking any medication and/or substance, including alcohol, that may limit your ability to use this product(s) as outlined and described in this Instruction Manual. Failure to follow these instructions may result in serious injury or death!
- ⚠️ WARNING!** Do not attempt to use this or any other product(s) when thunderstorms are threatening and/or present within five (5) miles. Do not attempt to use this or any other product(s) when any other adverse weather condition presents itself. These include weather conditions which have the potential for producing winds, lightning, rain, snow, sleet and/or any other atmospheric condition which may limit the user's ability to operate this product(s) in a safe manner as described in this Instruction Manual. Failure to follow these instructions may result in serious injury or death!
- ⚠️ WARNING!** Do not attempt to use this and/or any other product(s) when ice, snow and/or freezing rain has deposited or formed on any portion of the tree you intend to climb. Failure to follow these instructions may result in serious injury or death!
- ⚠️ WARNING!** Thoroughly inspect this or any other product(s) prior to each use for signs of wear, rot, corrosion, cracks, deterioration and/or any other type of defect. Protect this product from extended exposure to direct sunlight, excessive heat or freezing temperatures. Do not use this or any other product(s) if it shows evidence of wear, rot, corrosion, cracks, deterioration and/or any other type of defect. Failure to follow these instructions may result in serious injury or death!
- ⚠️ WARNING!** This product(s) is designed for adult use only! No one under the age of 16 should attempt to use this or any other product(s) without direct adult supervision. Failure to follow these instructions may result in serious injury or death!
- ⚠️ WARNING!** If you find that your treestand is unlevel, canted, angled awkwardly upward or downward, or in any configuration other than level, immediately climb down to ground level and readjust your treestand as necessary to alleviate this awkward angle. Never attempt to hunt from an unlevel treestand. Additionally, never attempt to level your treestand at heights above the ground. Failure to follow these instructions may result in serious injury or death!
- ⚠️ WARNING!** When climbing, always maintain three points of contact as you ascend (climb up) and while descending (climb down). Failure to maintain three points of contact puts the user at serious risk of bodily injury. Failure to follow these instructions may result in serious injury or death!

*To activate your product's warranty, a registration card can be found on page 35 and must be completed and returned to the manufacturer within 30 days of purchase. Be sure to keep a copy of this for your records.*

### **OPTIONAL ACCESSORIES AND REPLACEMENT PARTS**

Any number of innovative accessories are available and sold separately to compliment your new fixed position treestand. Only genuine authorized accessories should be used. Genuine replacement parts are also available online or via telephone. Should you require parts or service, or if you just have a question about this, or any other product(s), simply give one of our customer service representatives a call toll-free at 800-268-5077.

### **STORAGE AND CARE OF YOUR STAND**

Your new treestand is factory finished with a state-of-the-art powder coating that guarantees years of trouble-free service. It is recommended that you store your treestand out of direct sunlight and out of any other harsh environmental condition(s) that may adversely affect its performance.

This Instruction Manual complies with the Treestand Manufacturers Association's  
"Standard Practice for Treestand Instructions; TMS 04-98 Revision G."

**READ THIS MANUAL IN ITS ENTIRETY PRIOR TO USING THIS PRODUCT.**

## FIELD INSTALLATION - FIXED POSITION TREESTANDS

**⚠ WARNING!** Read all assembly instructions, field assembly instructions and safety warnings prior to using this product! Failure to follow these instructions may result in serious injury or death!

**⚠ WARNING!** Prior to attempting to use this or any other Big Game product(s), you should take a moment to become familiar with its installation, set-up, and use. We recommend that you practice installing, setting-up, and using this product on the ground prior to attempting to use it at the desired height; once you are comfortable at ground level you are ready to install and use the product at your desired height!

**⚠ WARNING!** This treestand was designed to be used on trees with a MINIMUM DIAMETER OF 9-INCHES. DO NOT use on trees with smaller diameters. Failure to follow this warning may result in serious injury or death!

**⚠ WARNING!** Never install, set-up, or climb to your treestand with a weapon. Use a pull up rope to carefully raise your unloaded weapon after safety harness is secure and you are set in the stand!

**⚠ STOP NOW!** It will be necessary to use the climbing tree belt with your full body harness while ascending the tree and attaching your treestand. As you climb it will be necessary to slide the climbing tree belt up the tree. Once you've reached the desired height and your treestand is properly secured to the tree, you will need to attach the permanent tree belt and secure tether strap as illustrated on page 9 of this manual. FAILURE TO WEAR YOUR FULL BODY HARNESS AT ALL TIMES WHILE USING THIS PRODUCT MAY RESULT IN SERIOUS INJURY OR DEATH!

**STEP 1.** Fold treestand platform to the upright position and hold to desired mounting position against the tree. (see fig. 1)

**STEP 2.** Lengthen strap by pulling slide buckle. Wrap strap around tree. (see fig. 1)

**STEP 3.** Attach J-hook onto strap hook receiver. Pull strap tight. (The platform must be in the upright position while doing the above steps.) (see fig. 2)

**STEP 4.** Lower platform to standing position; the treestand will then snug up to the tree to prevent any shifting. Redo as necessary to accomplish a snug fit to the tree. (see fig. 3)

**⚠ WARNING!** Make sure that you are wearing a full body harness! Ensure that the tree belt is tightened around the tree and the full body harness is attached properly!

**STEP 5.** Before stepping onto the stand, be sure it is secured properly and is tight against the tree with all four contact points touching the tree.

**⚠ WARNING!** Never step onto a treestand until all contact points are in tight contact with the tree and your Full Body Harness is properly attached using the tree belt & tether strap! Failure to follow these instructions may result in serious injury or death!

**STEP 6.** Carefully step onto the stand to be sure you have a solid feel against the tree. The seat folds down for sitting or up for standing. (see fig. 4)

**STEP 7.** Carefully pull up your unloaded weapon.

**▲** Prior to setting up or using your fixed position stand, please take a moment to check for damage or wear to the cables, strap assembly, and hardware. It is necessary to replace these parts as normal maintenance when wear exists or every 2 years, whichever is sooner. Please do not attempt to use your stand if there is a problem or considerable wear to the cables, strap assemblies, or hardware!

