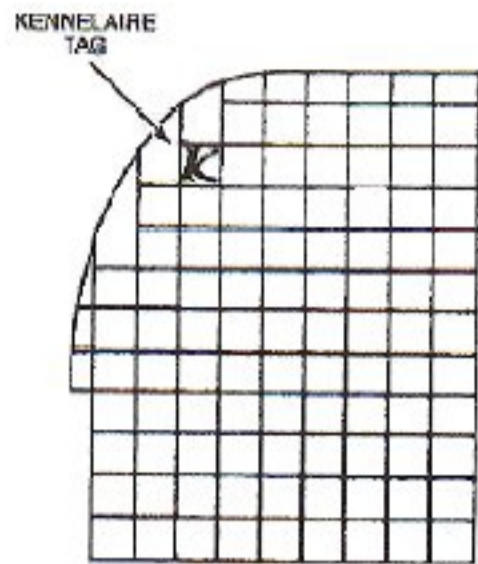
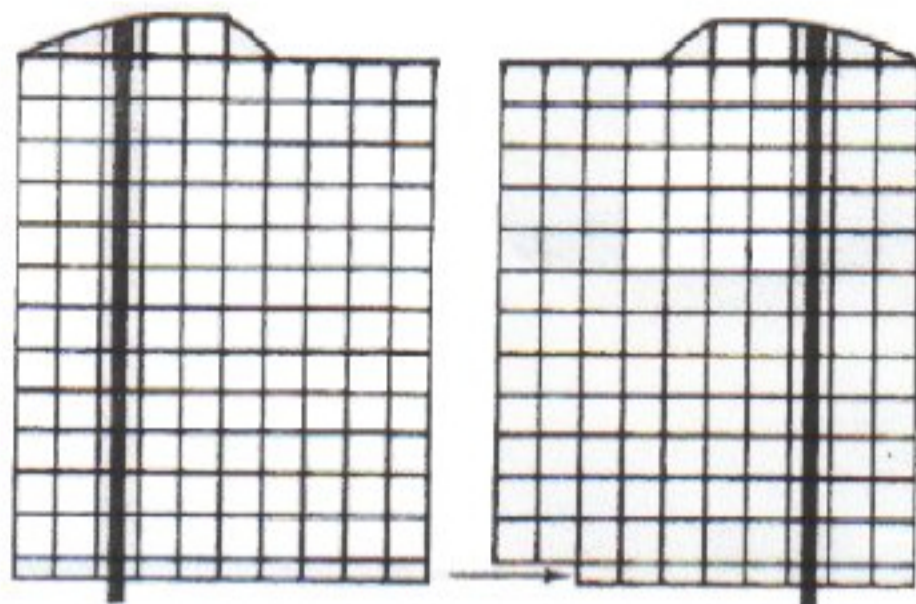


Remington Car Barrier Assembly Instructions

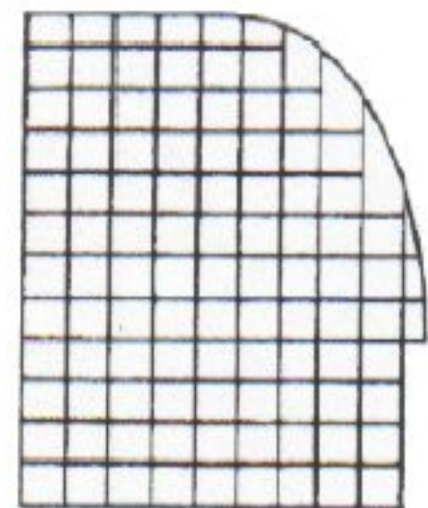
1. Remove cable ties. Separate screen as shown, with bottom lip on center sections facing down.



• Left Wing Screen

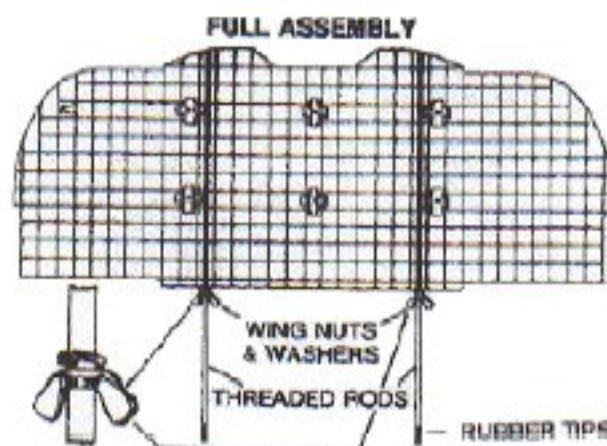


• Left Center Screen & Right Center Screen

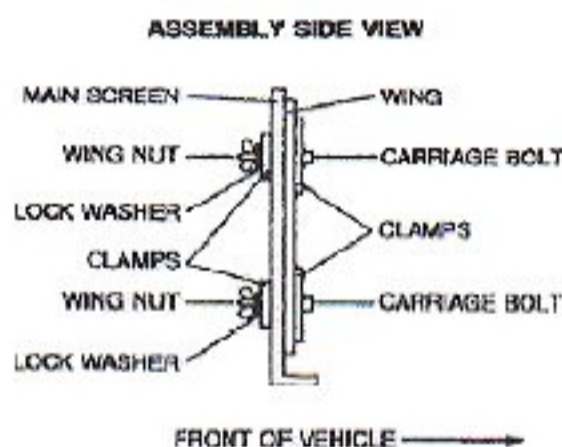


• Right Wing Screen

2. Attach two center screen sections together using two clamp units. See assembly side view illustration and clamp positioning photo for detail. Each clamp unit consists of one wing nut, one carriage bolt, one external lock washer and two clamps. NOTE: Left center section must be positioned over right center section to cover notched corner. (See arrow area in large illustration above.)



3. Thread wing nuts and lock washers on threaded rods. Insert rods into tubes located at bottom of center sections. (See full assembly illustration.)



4. Position center screen in vehicle, using interior ceiling light and/or rearview mirror as CENTERING point. Turn wing nuts until the required tension is achieved that results in a tight fit.



5. Hold wing sections straight up and down to determine best location for proper fit. NOTE: Wing section with Kennel-Aire tag is placed behind driver, facing rear of vehicle.

6. Attach left and right wings to center sections using two clamp units for each wing. See assembly side view illustration and clamp positioning photo for detail.

Parts List

- Left Center Screen
- Right Center Screen
- Left Wing Screen
- Right Wing Screen
- Two Threaded Rods
- Six 1/4" Wing Nuts
- Six 1/4" Carriage Bolts
- Twelve Clamps
- Two 1/2" Wing Nuts
- Two 1/2" Lock Washers
- Six 1/4" External Lock Washers
- Two Red Rubber Tips